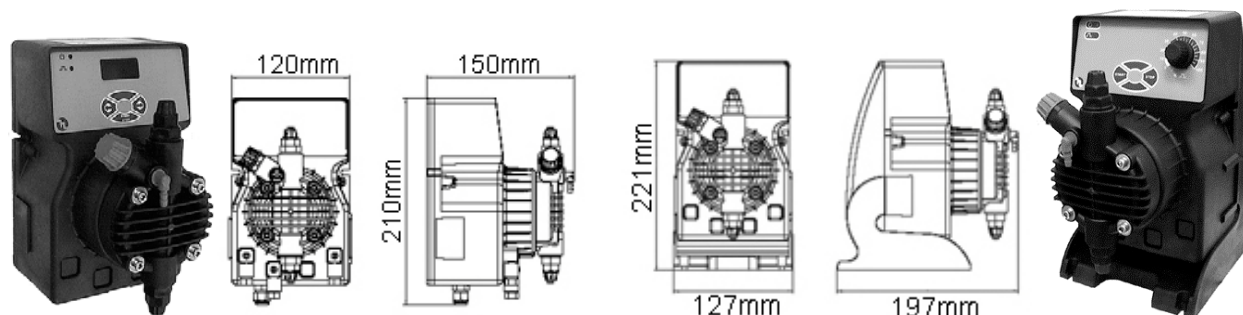


DLX SERIES

The DLX series is our most versatile range of pumps, with numerous options available for mounting and control types, designed with the modern electronics. Good for most small to medium water treatment applications.



SERIES

Series: DLX

Type: Solenoid-driven diaphragm metering pump.

Mounting: Foot or wall-mounted.

Enclosure: IP65 (plastic case).

Internal transformer provides stability to pump electronics.

Either foot or wall mounted versions (specify when ordering).

FLOW CONTROL TYPE

MA/A: Manual (by hand), analogue electronics.

MA/M: Manual (by hand), microprocessor-based.

MF/M: Multifunction, microprocessor-based. Operation can be manually, by 4-20 mA signal, By contact watermeter or by built-in timer.

CD/M: Pump with built-in conductivity controller. User-set conductivity set point controls pump flow.

PH/M: Pump with built-in pH controller. User-set pH set point controls pump flow.

RX/M: Pump with built-in ORP controller. User-set ORP set point controls pump flow.

CL/M: Pump with built-in free chlorine controller. User-set chlorine set point controls pump flow.

ELECTRICALS

Standard:
As shown in table below

Options:
PVC, PTFE, PVDF, SS316 (Some materials may not be available for some models. Consult Etatron).

ELECTRICALS

Standard:
230 V, 50/60 Hz, 1 ph

Options:
110 V, 60 Hz, 1 ph

MODEL SPECIFICATION: **DLX** - **MA/A** **2-10** **230 V, 50/60 Hz, 1 ph** **State specials here**

INDIVIDUAL MODEL MAXIMUM SPECIFICATIONS (STANDARD DLX-MA/A 230V MANUAL CONTROL VERSION)									
Model	Flow (l/hr)	Pressure (bar)	Strokes /min	Power (W) +	Current (A) +	Pumphead Material	Valves, O-rings Materials	Suction Lift (m)	Nett Weight (kg)
01-15	1	15	120	37	0.16	PP *	Viton	2.0	2.9
02-10	2	10	120	37	0.16	PP *	Viton	2.0	2.9
05-07	5	7	120	37	0.16	PP *	Viton	2.0	2.9
05-12	5	12	120	58	0.25	PP *	Viton	2.0	2.9
08-10	8	10	120	58	0.25	PP *	Viton	2.0	2.9
15-04	15	4	120	58	0.25	PP *	Viton	2.0	2.9
20-03	20	3	120	58	0.25	PP	Viton	2.0	2.9

+ Pumps with advanced functions may consume more power.

* Supplied standard with built-in manual air-bleed valves

Etatron D.S. (Asia-Pacific) Pte. Ltd.
67 Ubi Crescent, #03-05
Techniques Centre
Singapore 408560
Tel. +65 67437959
Fax. +65 67430397
E-mail. queries@etatron-asia.com.sg
Website. www.etatron-asia.com.sg

Other Etatron offices:

Etatron DS Srl - Rome, Italy (International headquarters)
Etatron DS Srl - Milan, Italy
Etatron UK Ltd. - England
Etatron (Ireland) Ltd. - Ireland
Etatron D.S. Inc. - Canada
Etatron - Russia